

# USER'S MANUAL



## Planet Audio®

### P350UA

**MP3-Compatible Digital Media AM/FM Receiver  
with USB and SD Memory Card Ports and Front Panel AUX Input**



## Planet Audio®

[www.planetaudiousa.com](http://www.planetaudiousa.com)

**TELEPHONE**

888.990.1236  
805.988.0215

**FAX**

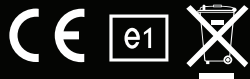
805.988.0275

**TECHNICAL SUPPORT**

[www.planetaudiousa.com/support](http://www.planetaudiousa.com/support)

P350UA 02.2012

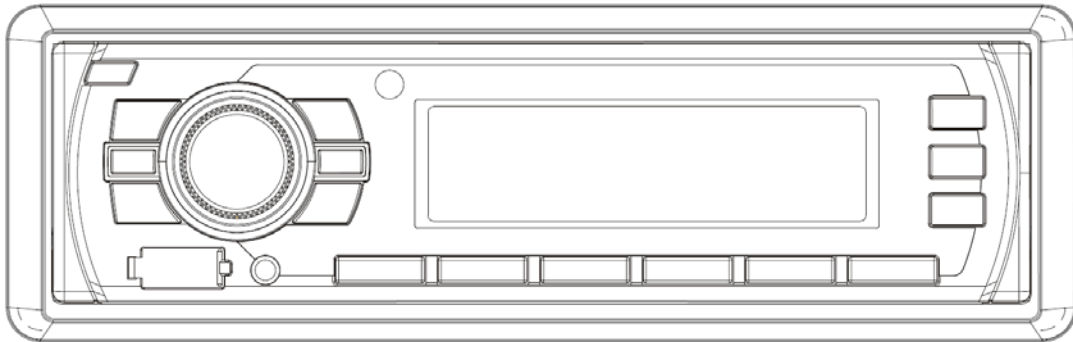
all specifications subject to change without notice  
© 2012 Planet Audio



# **OWNER'S MANUAL**

## **Mobile Audio System**

---



- **PLL Synthesizer Stereo Radio**
- **Automatic Memory Storing**
- **Detachable Panel**
- **Preset Equalization**
- **Memory Card Interface**
- **USB Interface**
- **Auxiliary Input Function**
- **Remote Control**

# CONTENTS

---

<b>Installation</b> .....	<b>3</b>	Previewing all tracks.....	8
DIN Front-Mount (Method A).....	3	Repeating the same track .....	8
Installing the unit .....	3	Playing all tracks in random.....	8
Removing the unit .....	3	Selecting tracks by AS/PS button .....	8
DIN Rear-Mount (Method B).....	3	Display information.....	8
<b>Using the detachable control panel</b> ..	<b>4</b>	<b>Memory card operation</b> .....	<b>8</b>
<b>Wiring Connection</b> .....	<b>5</b>	<b>Remote control</b> .....	<b>9</b>
<b>Operation</b> .....	<b>6</b>	<b>Specification</b> .....	<b>9</b>
Location of keys .....	6	<b>Trouble shooting</b> .....	<b>10</b>
Switching on/off the unit.....	6		
Faceplate release .....	6		
Sound adjustment.....	6		
System setting .....	6		
Display information .....	6		
Set the clock .....	6		
Equalization .....	6		
Mute.....	7		
Loudness .....	7		
Mode selection.....	7		
Remote sensor .....	7		
Auxiliary input .....	7		
Reset function.....	7		
Power-down memory function .....	7		
Radio operation .....	7		
Switching to radio mode .....	7		
Selecting the frequency band.....	7		
Selecting station .....	7		
Automatic memory storing&			
Program scanning .....	7		
Station storing .....	7		
Mono/stereo .....	7		
USB operation .....	7		
Selecting tracks.....	7		
Selecting directory up/down .....	7		
Pausing playing.....	8		

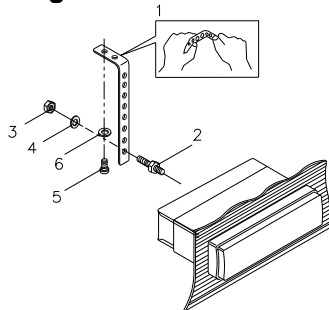
# INSTALLATION

## Notes:

- Choose the mounting location where the unit will not interfere with the normal driving function of the driver.
- Before installing the unit, connect the wiring temporarily and make sure it is all connected up properly and the unit and the system work properly.
- Use only the parts included with the unit to ensure proper installation. The use of unauthorized parts can cause malfunctions.
- Consult with your nearest dealer if installation requires the drilling of holes or other modifications of the vehicle.
- Install the unit where it does not get in the driver's way and cannot injure the passenger if there is a sudden stop, like an emergency stop.
- Avoid installing the unit where it would be subject to high temperature, such as from direct sunlight, hot air, from the heater, or where it would be subject to dust, dirt or excessive vibration.

### DIN FRONT-MOUNT (Method A)

#### Installing the unit



#### (1) Metal Strap

Be sure to use the strap to secure the back of the unit in the place. The strap can be bent by hand to the desired angle.

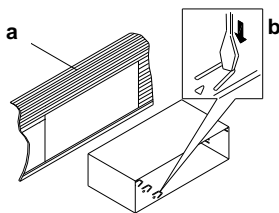
#### (2) Mounting Bolt

#### (3) Hex Nut

#### (4) Spring Washer

#### (5) Tapping Screw

#### (6) Plain Washer



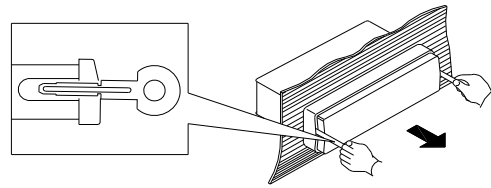
#### (a) Dashboard

#### (b) Holder

After inserting the holder into the dashboard, select the appropriate tab according to the thickness of the dashboard material and bend them inwards to secure the holder in place.

### Removing the unit

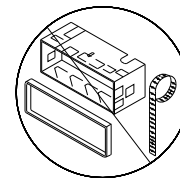
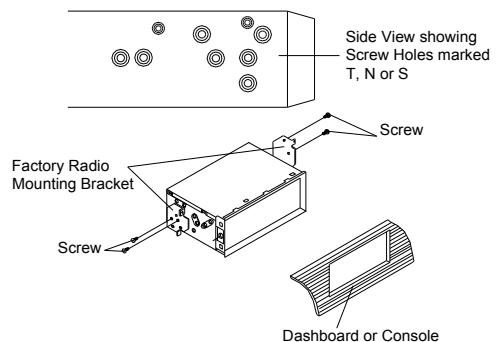
Insert both of the supplied keys into the slots at the middle left and right sides of the unit, then pull the unit out of the dashboard.



### DIN REAR-MOUNT (Method B)

If your vehicle is a Nissan, Toyota, follow these mounting instructions.

Use the screw holes marked T (Toyota), N (Nissan) located on both sides of the unit to fasten the unit to the factory radio mounting brackets supplied with your vehicle.



To fasten the unit to the factory radio mounting brackets.

Align the screw holes on the bracket with the screw holes on the unit, and then tighten the screws (5x5mm) on each side.

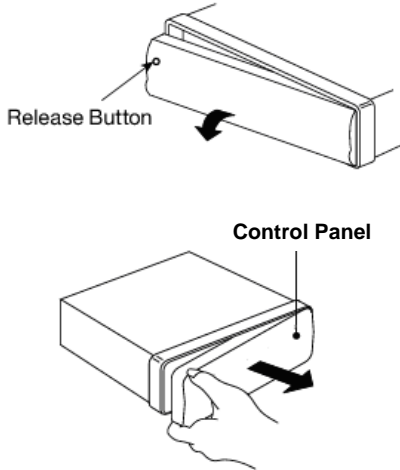
Note: the outer trim ring, sleeve and the metal strap are not used for method B installation.

# USING THE DETACHABLE CONTROL PANEL

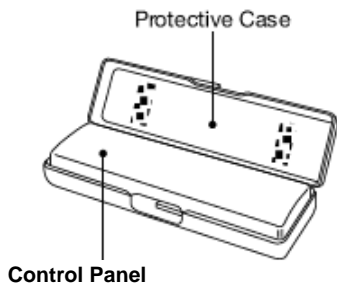
---

## To Detach the Control panel

1. Press the release button (▲) on the front panel and pull off the control panel.

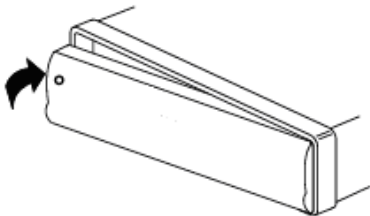


2. Keep the control panel into the case.



## To Install the Control Panel

To install the control panel, insert the panel into the housing and make sure the panel is properly installed. Otherwise, abnormality occurs on the display or some keys will not function properly.

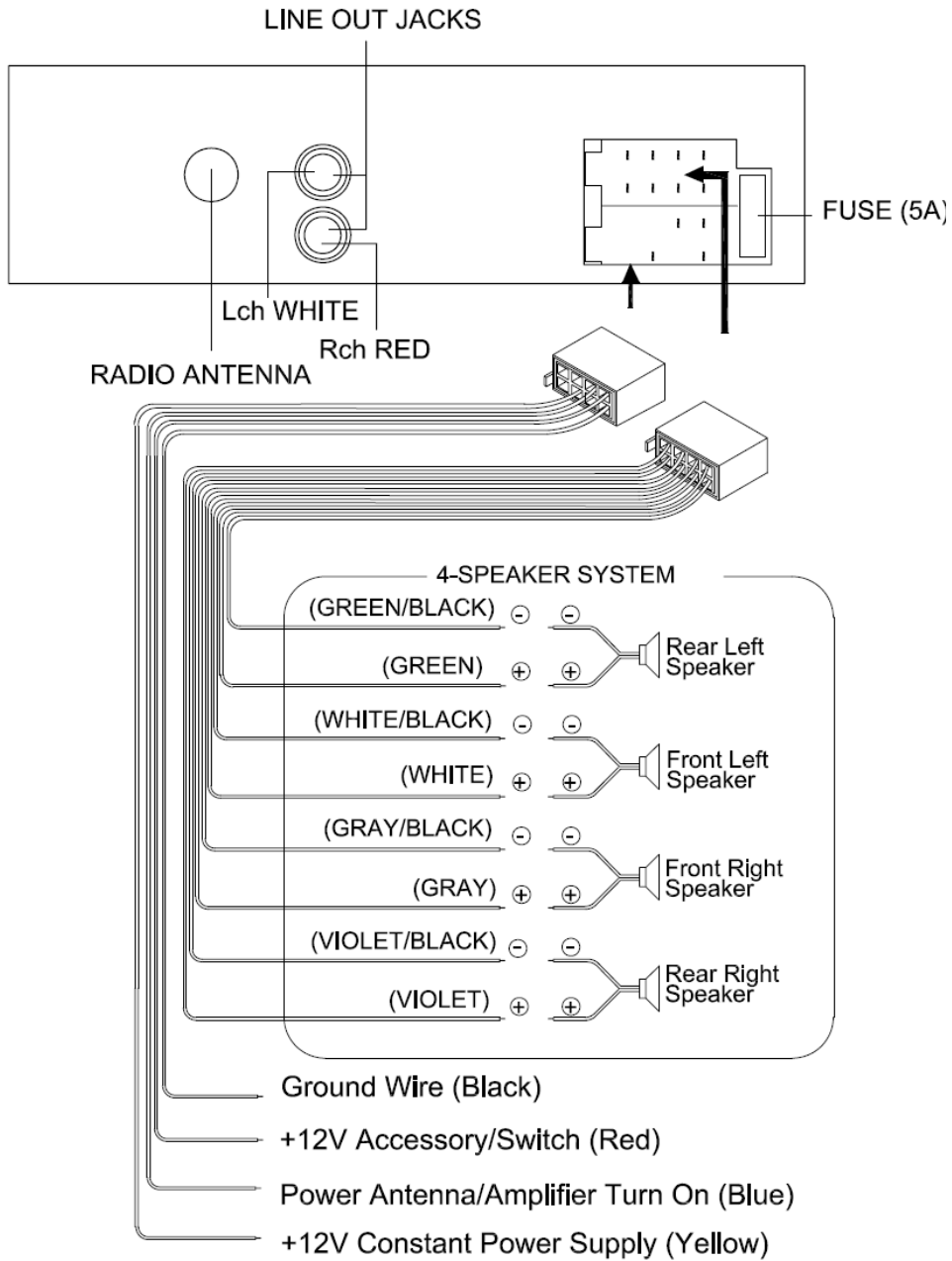


## Precautions when handling

1. Do not drop the control panel.
2. Do not put pressure on the display or control buttons when detaching or re-installing the control panel.
3. Do not touch the contacts on the control panel or on the main unit body. It may result in poor electrical contact.
4. If any dirt or foreign substances adhered on the contacts, they can be removed with a clean and dry cloth.
5. Do not expose the control panel to high temperatures or direct sunlight in anywhere.
6. Keep away any volatile agents (e.g. benzene, thinner, or insecticides) from touching the surface of the control panel
7. Do not attempt to disassemble the control panel.

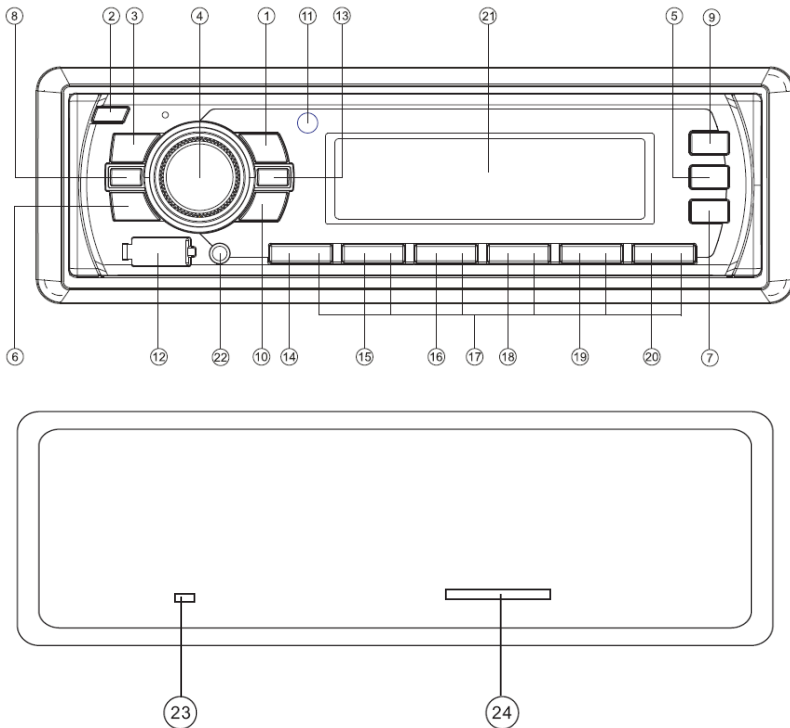
# WIRING CONNECTION

FOR 4X50W SYSTEM



# OPERATION

## LOCATION OF KEYS



1. ►► Tune/seek/track up button
2. ▲ Release button
3. ⏻/MUT button
4. Volume knob (when rotated)  
SEL button (when pressed)
5. EQ button
6. DSP button
7. MON button
8. MOD button
9. AS/PS/Navi-SCH button
10. ◀◀ Tune/seek/track down button
11. Remote sensor
12. USB interface
13. BND/LOUD/ENT button
14. 1 PAU button
15. 2 SCN
16. 3 RPT
17. 1-6 preset buttons
18. 4 SHF
19. 5 DIR-
20. 6 DIR+
21. Liquid crystal display
22. AUX IN
23. Reset button
24. Memory card interface

### SWITCHING ON/OFF THE UNIT

Press **⏻/MUT** button (3) to turn on the unit.  
When the system is on, press and hold **⏻/MUT** button (3) to turn off the unit.

### FACEPLATE RELEASE

Press **▲** button (2) to release the removable faceplate.

### SOUND ADJUSTMENT

Press **SEL** button (4) shortly to select the desired adjustment mode. The adjustment mode will change in the following order:

VOL → BAS → TRE → BAL → FAD

(Volume) (Bass) (Treble) (Balance) (Fader)

By rotating the volume knob (4) clockwise or counter-clockwise, it is possible to adjust the desired sound quality.

### SYSTEM SETTING

Press and hold **SEL** button (4) on the control panel to enter system setting mode. Then shortly press **SEL** button (4) to select the item you want to change and rotate the volume knob (4) to change the corresponding setting.

#### 1) BEEP ON/OFF

Use the volume knob (4) to set Beep sound ON or OFF.

#### 2) AREA USA/EUR

Use the volume knob (4) to set AREA USA, AREA EUR frequency spacing.

Note the frequency range of the different area is not the same.

#### 3) P-VOL

Use the volume knob (4) to select the volume level when the unit turns on.

### DISPLAY INFORMATION

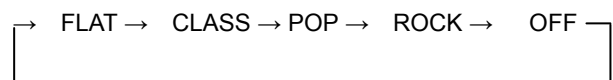
Press **DSP** button (6) to operate as the conversion of each display mode.

### SET THE CLOCK

Shortly press the **DSP** button (6) until the clock is shown on the display. Then hold the **DSP** button until the clock flashes. Then press **◀◀** button (10) to change the minutes and **►►** button (1) to change the hours.

### EQUALIZATION

Press **EQ** button (5) to turn on equalization function and to select desired audio mode. There are five kinds of mode as below:



# OPERATION

---

## MUTE

Press **M/MUT** button (3) to mute down the sound instantly. Press again to resume the sound.

## LOUDNESS

Press **BND/LOUD/ENT** button (13) for several seconds to reinforce the bass output and "LOUD" will appear on the display. Press it for several seconds again to release this function.

## MODE SELECTION

Press **MOD** button (8) to select radio, USB, memory card play or AUX mode.

## REMOTE SENSOR

Point the remote control handset to the remote sensor (11). Press the function keys on the handset to control the system.

## AUXILIARY INPUT

The unit can be connected to a portable audio player through the auxiliary input jack **AUX IN** (22) on the control panel. After finishing the connection, you can press **MOD** button (8) on the control panel to switch the mode to AUX mode.

## RESET FUNCTION

Reset button (23) must be activated with either a ballpoint pen or thin metal object. The reset button is to be activated for the following reasons:

- Initial installation of the unit when all wiring is completed.
- All the function buttons do not operate.
- Error symbol on the display.

## POWER-DOWN MEMORY FUNCTION

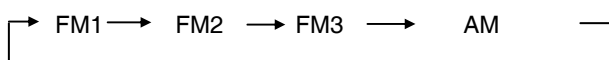
The unit has the power-down memory function; some data will never lose even when power's off. You can press the numerical button **1** (14) and **MOD** button (8) together to clear the power-down memory function.

## RADIO OPERATION

### SELECTING THE FREQUENCY BAND

At radio mode, press **BND/LOUD/ENT** button (13) shortly to select the desired band.

The reception band will change in the following order:



### SELECTING STATION

Press **▶▶** button (1) or **◀◀** button (10) shortly to

activate automatic seek function. Press for several seconds until "MANUAL" appears on the display, the manual tuning mode is selected. If both buttons have not been pressed for several seconds, they will return to seek tuning mode and "AUTO" appears on the display.

### AUTOMATIC MEMORY STORING & PROGRAM SCANNING

- Automatic memory storing  
Press **AS/PS** button (9) for several seconds to store the strongest stations that searched into the corresponding preset number button.
- Program scanning  
Press **AS/PS** button (9) shortly to scan preset station.

### STATION STORING

Press any one of the preset buttons (17) (1 to 6) to select a station, which had been stored in the memory. Press this button for several seconds to store the current station into the number button.

### MONO/STEREO

Press **MON** button (7) to select mono or stereo mode. You can sometimes improve reception of distant stations by selecting mono operation.

### USB OPERATION

On the control panel of the unit, there is an USB interface (12). You can connect an USB driver through this interface (12).

When you connect an USB driver through the interface, the unit will search the MP3 files or WMA files in the USB driver and start to play MP3 files or WMA files automatically. If in other mode, you can also press **MODE** button (8) to select USB mode.

### SELECTING TRACKS

Press **◀◀** button (10) or **▶▶** button (1) to move to the previous track or the following track. Track number shows on display. Hold **◀◀** button (10) or **▶▶** button (1) to fast reverse or fast forward. Normal play starts from when you release the button.

### SELECTING DIRECTORY UP/DOWN

Press **DIR-** button (19) or **DIR+** button (20) to select directory downward or upward. If the MP3 files does not contain any directory, there is no function of pressing **DIR-** button (19) or **DIR+** button (20).



# OPERATION

---

## PAUSING PLAYING

Press **PAU** button (14) to pause the playing.  
Press it again to resume play.

## PREVIEWING ALL TRACKS

Press **SCN** button (15) to play first several seconds of each track. Press again to stop intro and listen to track.

## REPEATING THE SAME TRACK

Press **RPT** button (16) to continuously repeat the same track. Press it again to stop repeat.

## PLAYING ALL TRACKS IN RANDOM

Press **SHF** button (18) to play all tracks on the USB in random order. Press again to cancel the function.

## SELECTING TRACKS BY AS/PS BUTTON

Press **AS/PS** button (9), then rotate **VOL** knob (4) to select the track directly.  
Then press the **SEL** button (4) or **BND/LOUD/ENT** button (13) to start playing the track.

## DISPLAY INFORMATION

Press **DSP** button (6) to show the following information, such as the clock, ID3 TAG (if available: song title, directory name, artist name, other contents...) (FOR WITH MP3 ID3 FUNCTION VERSION ONLY) and other information.

### Note:

- The main unit can only support the standard USB-memory device.
- USB MP3 player is not a standard which means different brand name or different models have their own standard. So our product cannot support every MP3 player.
- When connecting an MP3 player and there has normal battery in the player (non rechargeable battery), you should remove the battery from the MP3 player then connect it to the USB interface. Otherwise, it may cause battery burst.
- When in USB play mode, be sure not to remove the USB driver from the USB interface.

## MEMORY CARD OPERATION

There is a memory card interface (24) on the housing the unit.

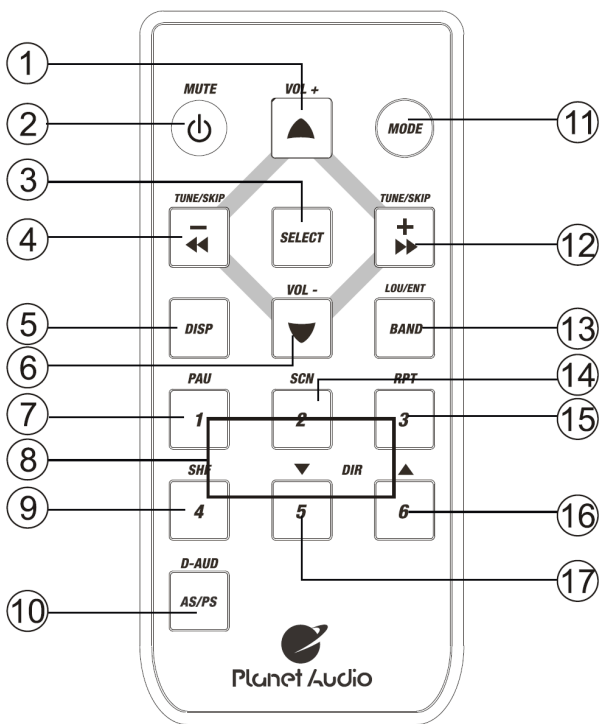
When you insert a memory card in the memory card interface, the unit will search the MP3 files or WMA files in the card and start to play MP3 files or WMA files automatically.

The operation is the same with the USB operation described above.

## CAUTION

When there are important files in the USB device or the memory card, do not connect it to the main unit to play. Because any wrong operation may cause files loss. And our company assumes no responsibility for this.

# REMOTE CONTROL



1. VOL+: Volume Up Button
2. ⏻(MUTE): Power On/Off/MUTE Button
3. SEL: Sound Mode Select Button
4. TUNE/SKIP ◀: Tune/Seek Down Button
5. DISP: Display Button
6. VOL-: Volume Down Button
7. 1 PAU: Pause Button
8. 1-6: Preset Buttons
9. 4 SHF: Shuffle Button
10. AS/PS/D-AUD: Automatic Memory Storing & Program Scanning Button (Press to select the track directly in MP3/WMA file Operation)
11. MODE: Mode Button
12. TUNE/SKIP ▶: Tune/Seek Up Button
13. BAND/LOU/ENT: Band Select Button (When pressed shortly) Loudness Button (When pressed long) (Enter Button For MP3/WMA file Operation)
14. 2 SCN: Scanning Button
15. 3 RPT: Repeat Button
16. 6 DIR ▲: Directory Up Button
17. 5 DIR ▼: Directory Down Button

# SPECIFICATION

## GENERAL

Power Supply Requirements	: DC 12 Volts, Negative Ground
Tone Controls	
- Bass (at 100 Hz)	: ±10 dB
- Treble (at 10 kHz)	: ±10 dB
Maximum Output Power	: 4X50 watts
Current Drain	: 5 Ampere (max.)

## USB/SD/MMC PLAYER

Signal to Noise Ratio	: More than 60 dB
Channel Separation	: More than 50 dB
Frequency Response	: 20Hz – 20 kHz

## RADIO

Frequency Coverage	<b>FM</b> 87.5 to 107.9 MHz (USA) 87.5 to 108 MHz (Europe)
IF	10.7 MHz
Sensitivity (S/N=30dB)	10 dBμ
Stereo Separation	>25dB
Frequency Coverage	<b>AM</b> 530 to 1710 KHz (USA) 522 to 1620 KHz (Europe)
IF	450 kHz
Sensitivity (S/N=20dB)	32 dBu

## Remarks:

Specifications subject to change without notice.

## **TROUBLE SHOOTING**

---

Before going through the checklist, check wiring connection. If any of the problems persist after checklist has been made, consult your nearest service dealer.

<b>Symptom</b>	<b>Cause</b>	<b>Solution</b>
No power.	The car ignition switch is not on.	If the power supply is connected to the car accessory circuits, but the engine is not moving, switch the ignition key to "ACC".
	The fuse is blown.	Replace the fuse.
No sound.	Volume is in minimum	Adjust volume to a desired level.
	Wiring is not properly connected.	Check wiring connection.
The operation keys do not work.	The built-in microcomputer is not operating properly due to noise.	Press the RESET button. Control panel is not properly fixed into its place.
The radio does not Work. The radio station automatic selection does not work.	The antenna cable is not connected.	Insert the antenna cable firmly.
	The signals are too weak.	Select a station manually.